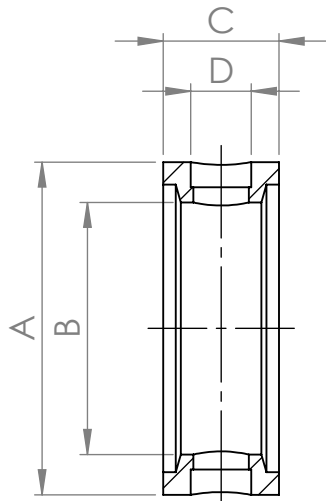
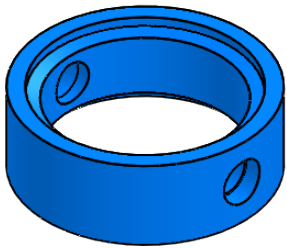
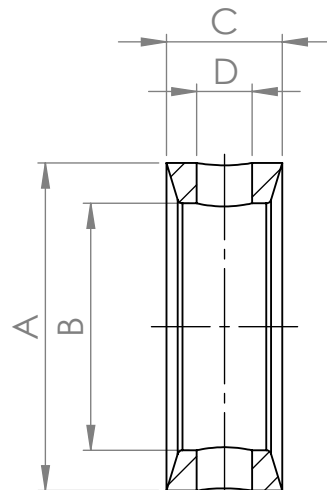
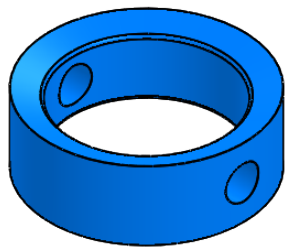


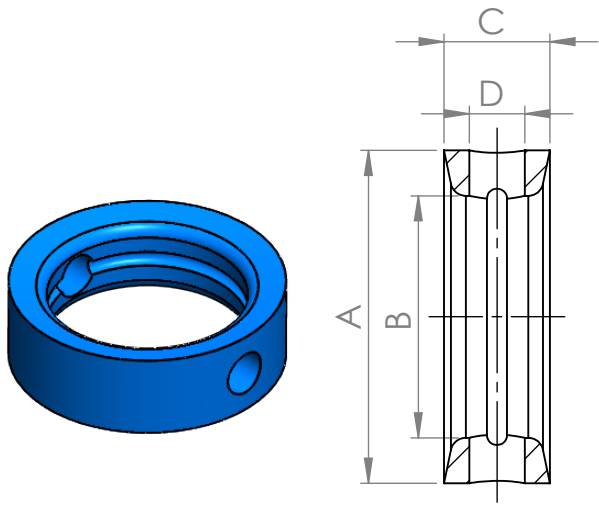
Klappenventil-Dichtung				
Typ	A	B	C	D
DN-25/A	39,0	26,0	20,0	9,0
DN-32/A	48,0	31,8	20,0	8,5
DN-40/A	54,0	38	21,0	10,0
DN-50/A	66,0	50,0	21,0	10,0
DN-63,5/A	77,0	60,5	20,0	10,5
DN65/A	83,0	66,0	22,0	10,0
DN-76/A	91,0	72,0	24,0	11,0
DN-80/A	101,0	81,0	24,0	13,0
DN-100/A	114,0	100,0	27,0	12,0
DN-125/A	150,0	125,0	30,0	16,0
DN-150/A	175,0	150,0	29,0	16,0



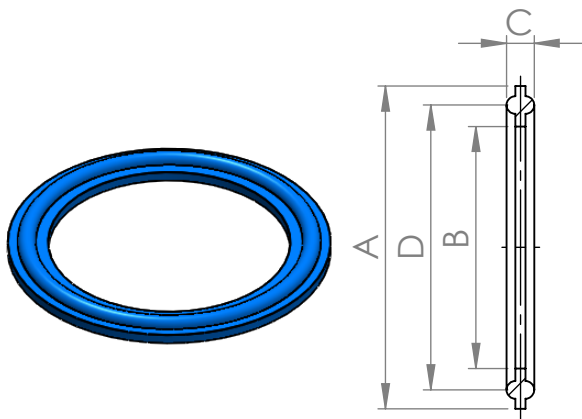
Klappenventil-Dichtung				
Typ	A	B	C	D
DN-25/H	39,0	26,0	20,0	9,0
DN-40/H	48,0	31,8	20,0	8,5
DN-50/H	54,0	38	21,0	10,0
DN-65/H	66,0	50,0	21,0	10,0
DN-80/H	77,0	60,5	20,0	10,5
DN-100/H	83,0	66,0	22,0	10,0



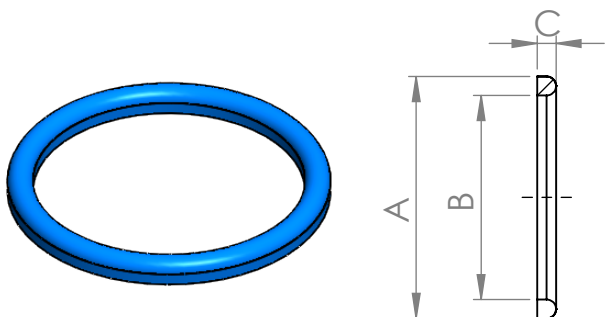
Klappenventil-Dichtung				
Typ	A	B	C	D
DN-50	65,0	49,0	20,0	11,0
DN-50/1	66,0	50,0	21,0	10,5



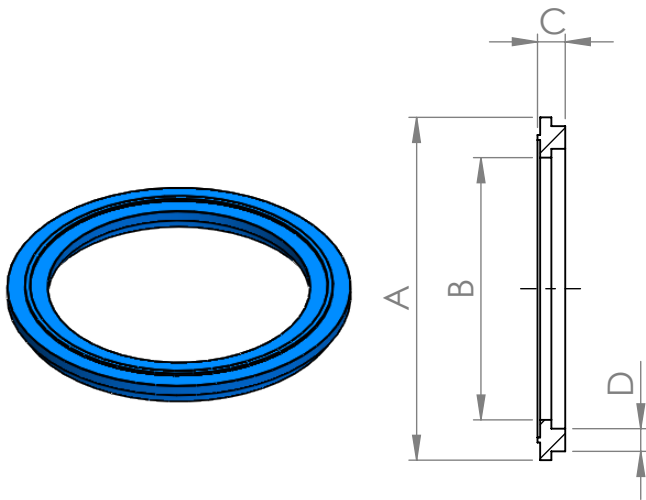
Klappenventil-Dichtung, gerillt				
Typ	A	B	C	D
DN-50/S	66,0	48,0	21,0	11,0
DN-50/SO	63,0	46,0	20,0	10,5



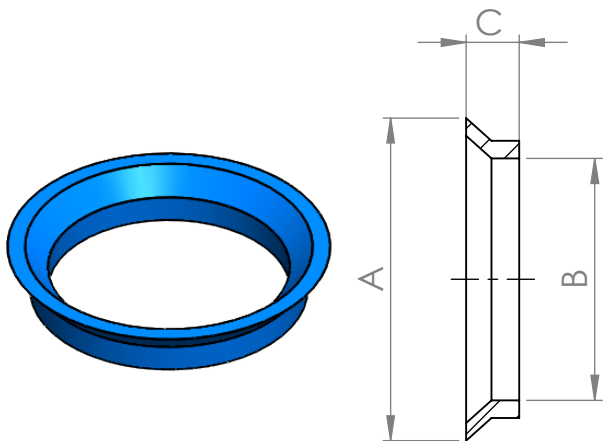
Dichtung für Rohrverbindungen / Dichtring				
Typ	A	B	C	D
DN-25	50,5	22,8	5,5	43,5
DN-40	50,5	35,8	5,5	43,5
DN-50	64,0	48,0	5,5	56,5
DN-65	77,5	60,5	5,5	70,5
DN-80	91,0	73,1	5,5	83,5
DN-100	119,0	97,8	5,5	110,0



Flachdichtung /Dichtring			
Typ	A	B	C
DN-20/P	33,0	23,0	4,5
DN-25/P	40,0	30,0	5,0
DN-32/P	46,0	36,0	7,0
DN-40/7	52,0	42,0	7,0
DN-40/P	52,0	42,0	5,0
DN-50/7	64,0	54,0	7,0
DN-50/P	64,0	54,0	5,0
DN-65/P	81,0	71,0	5,0
DN-70/P	81,0	71,0	8,0
DN-80/P	95,0	85,0	5,0
DN-100/P	114,0	104,0	6,0
DN-125/P	142,0	130,0	7,0
UZP-40	49,0	39,0	7,0
UZP-50	63,0	53,0	7,0



Flanschdichtung				
Typ	A	B	C	D
DN-25	44,0	28,0	5,5	4,5
DN-40	56,0	40,0	5,5	4,5
DN-50	68,0	52,0	5,5	4,5
DN-65	84,0	68,0	5,5	4,5
DN-80	98,0	82,0	5,5	4,5
DN-100	118,0	102,0	5,5	4,5



Konische Dichtung			
Typ	A	B	C
DN-50/S	50,0	35,0	10,5
DN-50/SO	64,0	48,0	10,5